

API 6D ISO9001 认证企业  
ISO14001 OHSAS18001 认证企业  
特种设备制造许可认证企业  
(压力管道类)

API 6D ISO9001 ISO14001 OHSAS18001  
CERTIFIED ENTERPRISE  
SPECIAL EQUIPMENT MANUFACTURE  
LICENSE CERTIFIED ENTERPRISE



无摩擦阀门

NON-FRICTION VALVE

成都乘风阀门有限责任公司

CHENGDU CHENGFENG  
VALVE CO.,LTD.







成都乘风阀门有限责任公司  
CHENGDU CHENGFENG VALVE CO.,LTD.



# 产品目录

## PRODUCT CATALOGUE

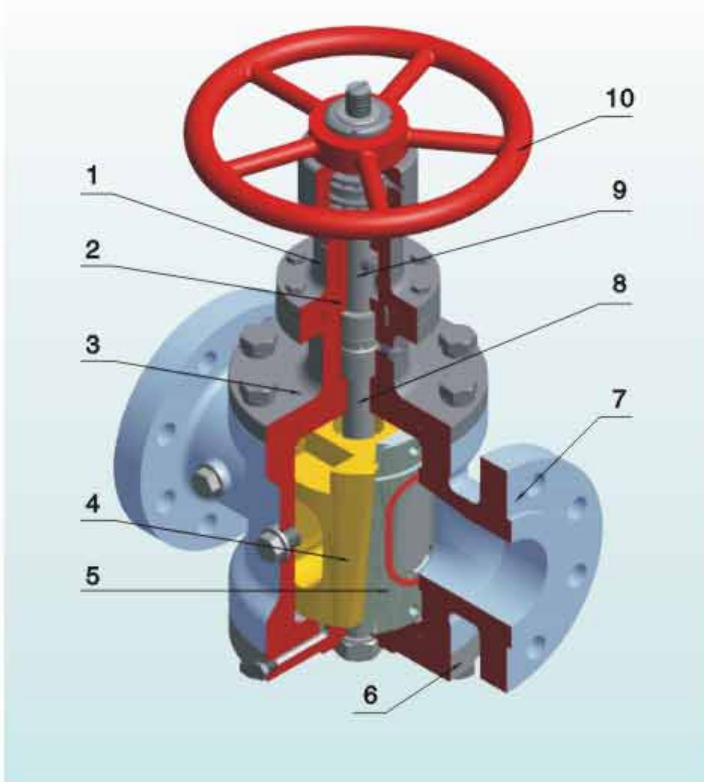
<b>撑开式旋塞阀</b> .....	1
Expanding Plug Valve	
<b>压力平衡式旋塞阀</b> .....	9
Pressure Balance Plug Valve	
<b>轨道式球阀</b> .....	17
Orbit Ball Valve	
<b>撑开式平板闸阀</b> .....	25
Expanding Slab Gate Valve	
<b>资质证书</b> .....	35
Qualifications	



## 撑开式旋塞阀 Expanding Plug Valve

撑开式旋塞阀（又叫将军阀、双关双断阀、双密封导轨阀）是一种对密封面具有保护作用的双面强制密封阀门，其阀芯由带有斜面的燕尾导轨的楔塞与两阀瓣组成。本旋塞阀采用特殊的轨道控制技术，阀瓣旋转时密封面间不接触，在密封面接触或脱离过程中，阀瓣只撑开而不旋转，密封面采用软硬双重密封，无摩擦、无磨损，双向关断零泄漏，使用寿命长。广泛地应用于：航空煤油、轻质油、天然气、液化气、管道煤气、化工介质等管道上，是作为严格截断介质的理想装置，同时安装在管道上时可实现在两阀中间进行泄漏检查。

The **Expanding Plug Valve** (also known as General Valve, double closing and double cutting-off valve and dual-sealing guideway valve) is a kind of double-side positive sealing valve with the protection effect on the sealing faces. Its valve core is composed of a wedge plug with dovetail guideway and two discs. With special orbit control technology provided, the valve discs can rotate without the sealing faces contacting with each other. During the process of the sealing faces contacting with each other or separating from each other, the valve discs only expand but not rotates. With hard and soft double seal provided, the sealing faces are protected from friction or abrasion, thus ensuring long service life. This kind of valve can cut off the medium from both sides ensuring zero leakage. The expanding plug valves are widely applied to the pipelines for transmitting aviation kerosene, light oil, natural gas, liquefied gas, coal gas, chemical medium and the like, serving as an ideal device for cutting off the medium. The leakage can be checked between two valves when the valves are installed on pipelines.



### 1、结构简图 Structure Sketch

- |        |                 |
|--------|-----------------|
| 1、支架   | Yoke            |
| 2、导轨套  | Guideway Sleeve |
| 3、阀盖   | Bonnet          |
| 4、楔塞   | Wedge Plug      |
| 5、阀瓣   | Disc            |
| 6、端盖   | End Cover       |
| 7、阀体   | Body            |
| 8、阀杆   | Stem            |
| 9、传动丝杆 | Driving Screw   |
| 10、手轮  | Handwheel       |

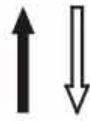
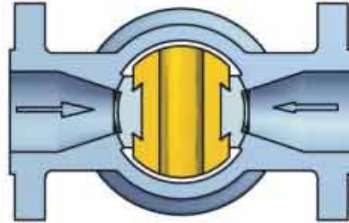
## 2、工作原理 Operating Principles

### 全闭状态:

楔塞下撑，阀瓣密封面与阀体密封面紧密贴合，介质被完全截断。

### Fully Closed Position:

The discs shall be expanded by the wedge plug when the wedge plug moves downwards, making the sealing faces of the discs and the sealing faces of the body contact with each other tightly. At this stage, the medium is completely cut off.



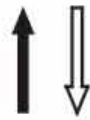
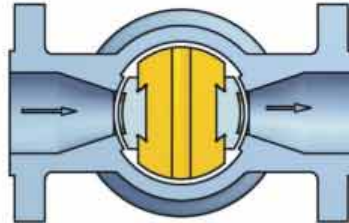
逆时针旋转手轮，楔塞上升并带动阀瓣缩回，阀瓣密封面与阀体密封面逐渐脱离。

Rotate the valve handwheel anti-clockwise so that the wedge plug rises and lifts the discs up, sequentially, the sealing faces of the discs gradually separate from the sealing faces of the valve body.



继续旋转手轮，楔塞旋转到90°，阀瓣密封面与阀体密封面对正。楔塞开始下降，逐步撑开阀瓣。

Continue to rotate the handwheel till the wedge plug is rotated by 90°. The sealing faces of the discs shall face the sealing face of the body directly, and the wedge plug shall start to move downwards and gradually expand the discs.



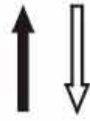
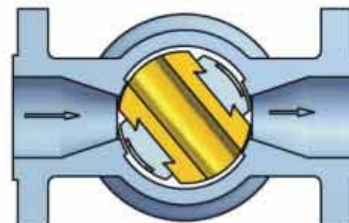
继续旋转手轮，楔塞通过燕尾槽连接带动阀瓣向开启方向旋转。

Continue to rotate the handwheel so that the wedge plug drives the discs to rotate in the opening direction by the dovetail shaped groove.



顺时针旋转手轮，楔塞与阀瓣向关闭方向旋转。

Rotate the handwheel clockwise so that the wedge plug and the discs rotate in the closing direction.

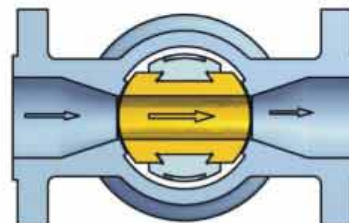


### 全开状态:

楔塞旋转到90°，阀体通道与楔塞通道重合，阀门全开，介质无阻碍流通。

### Fully Open Position:

When the wedge plug is rotated by 90 degrees, the passage of the valve body shall coincide with the passage of the wedge plug. At this stage the valve is fully opened and the medium flows freely.



### 3、性能特点 Performance Features

- 1) DBB功能阀  
DBB function
- 2) 密封面无摩擦启闭、阀门的使用寿命长，开关力矩小。  
No friction between the sealing faces while opening and closing, long service life and small operating torque.
- 3) 软、硬双重密封，具备防火功能。  
Soft and hard double seals, fire-proof design
- 4) 上、下两种装配方式，维修十分方便。  
Assembly from the top and bottom are both available, and it is easy to be maintained and repaired.
- 5) 阀瓣上的弹性密封采用特殊工艺成型在阀瓣表面沟槽中，镶嵌牢固，永不脱落。  
Elastic seal is molded into the surface groove of the disc by means of special molding procedure, and is firmly inlaid without falling.
- 6) 特殊的轨道设计，有效的保证了开关过程中密封面的分离与贴合。  
Special orbit design effectively guarantees the separation and contacting of the sealing faces during the opening and closing processes.
- 7) 具有自动泄放装置(备选)，防止阀腔异常升压并检验阀门的效果。  
Automatic relief device (alternative) is provided for preventing abnormal pressure rise in the valve chamber.
- 8) 阀体的内腔、阀瓣精加工后可进行各种硬化、防腐、减摩等处理。  
The inner valve chamber and the disc can be subject to treatments such as hardening, corrosion-prevention, and friction-reduction after finished machining.
- 9) 双向零泄漏，防止在储油罐里的燃料污染或损失的现象，避免窜流。  
Zero leakage at both sides, avoiding fuel pollution or loss in the oil storage tank and preventing the fluid from channeling.
- 10) 防静电设计  
Anti-static design.



### 4、型号说明 Model Description

□ X □ □ □ □ - □ □ □  
① ② ③ ④ ⑤ ⑥ ⑦ ⑧ ⑨

- ① 温度：D：低温，G：高温，省略时：常温
- ② “X”表示旋塞阀；
- ③ 传动方式：4：正齿轮，5：锥齿轮，6：气动，7：液动，9：电动，省略时：手动；
- ④ 连接形式：4：法兰；6：焊接端；
- ⑤ 结构形式：3：直通撑开式；
- ⑥ 密封面材料：F：氟橡胶，Y：硬质合金；

⑦ 压力级；

⑧ 壳体材料：C：碳钢，PN $\geq$ 2MPa时省略，P：铬镍不锈钢，V：铬钼钒钢，  
R：铬镍钼不锈钢，I：铬钼钢

⑨ 尺寸

例：尺寸为10"，压力级为CL600，电动，法兰连接，密封面为氟橡胶，壳体材料为ZG1Cr18Ni9Ti的直通  
撑开式旋塞阀表示为：X943F-CL600P 10"

① Temperature: D: Low-temperature; G: High-temperature; omission of D or G: normal temperature

② "X" refers to plug valve;

③ Mode of drive: 4: spur gear; 5: bevel gear; 6: pneumatic actuated; 7: hydraulic operated; 9: electric actuated;  
omission of 4,5,6,7 or 9: manual operated;

④ Connection: 4: flange end; 6: welding end;

⑤ Type of structure 3: straightway expanding type;

⑥ Material of sealing face : F: fluorine rubber; Y: hard alloy;

⑦ Pressure class;

⑧ Material of shell: C: carbon steel, omitted as PN  $\geq$  2 MPa; P: chromium nickel stainless steel; V: chromium  
molybdenum vanadium steel; R: nickel chromium molybdenum stainless steel; I: chrome molybdenum steel

⑨ Size

E.g.: the expanding plug valve with size of 10", pressure class of CL600, electric actuator, flange ends,  
sealing face of fluorine rubber and shell material of ZG1Cr18Ni9Ti is expressed as:X943F-CL600P 10"

## 5、性能规范 Performance Standard

压力级 Pressure class	Class150 ~ 1500 ( PN20 ~ 250 )
尺寸 Size	NPS2" ~ 24" ( DN50 ~ 600 )
适用温度 Applicable temperature	-29 ~ 121℃, -29 ~ 200℃ -46 ~ 121℃
适用介质 Applicable medium	石油、天然气及其制品、化工介质 Petroleum, natural gas, petroleum/natural gas products and chemical medium



## 6、材料表 Material List

序号 Sl. No.	零件名称 Part	材料名称 Material description	序号 Sl. No.	零件名称 Part	材料名称 Material description
1	阀体 Body	碳钢 Carbon steel	2	阀盖 Bonnet	碳钢+表面处理 Carbon steel + Surface treatment
3	端盖 End Cover	碳钢+表面处理 Carbon steel + Surface treatment	4	阀瓣 Disc	碳钢+表面处理 Carbon steel + Surface treatment
5	楔塞 Wedge plug	碳钢+表面处理 Carbon steel + Surface treatment	6	阀杆 Stem	合金钢 Alloy steel
7	导轨套 Guideway sleeve	合金钢+表面处理 Alloy steel + Surface treatment	8	填料 Packing	组合件 Combination

注：具体材料选择根据实际工况和用户要求进行。

Note: Material can be selected as per actual service conditions and the requirements of the users.

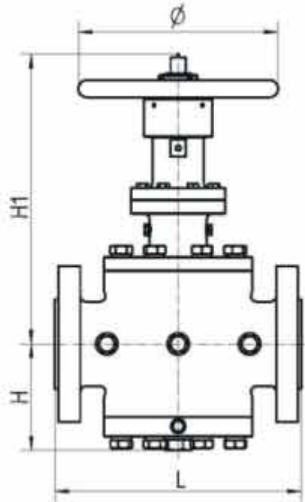
## 7、采用标准 Applicable Standards

设计制造 Design and manufacturing	API6D, API599 GB/T22130
结构长度 Face to face or end to end dimension	ASME B16.10 GB/T12221
连接法兰 Flange connection	ASME B16.5 GB/T9113, JB/T79 HG/T20592
验收 Acceptance	API6D, API598 GB/T13927, JB/T9092

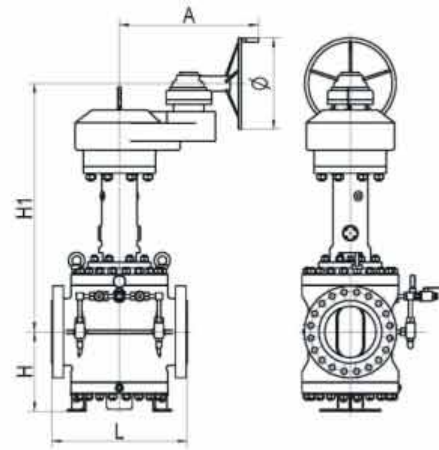
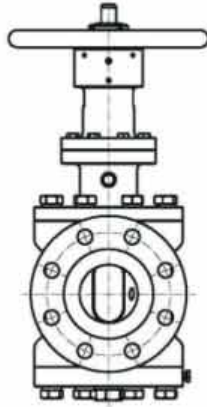
注：以上标准可根据用户要求执行。

Note: The design standard can be applied upon the requirements of the users.

**撑开式旋塞阀主要尺寸数据表**  
**Data Sheet of Main Dimensions of the Expanding Plug Valve**



**X43**

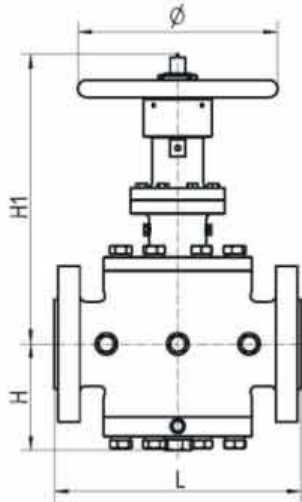


**X543**

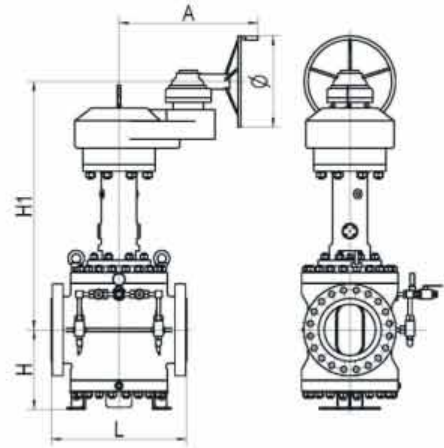
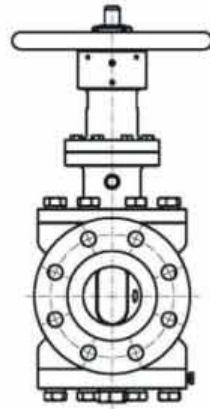
NPS	DN	Class150/PN20					Class300/PN50				
		L	H	H1	A	φ	L	H	H1	A	φ
2	50	178	130	430	/	250	216	130	430	/	250
2½	65	190	140	450	/	250	241	140	450	/	250
3	80	203	160	480	/	250	283	160	480	/	250
4	100	305	180	500	/	350	305	180	500	/	350
6	150	394	240	600	/	350	403	240	600	/	350
8	200	457	270	700	/	450	502	270	700	/	450
10	250	533	300	650	264	500	568	320	750	264	500
12	300	610	350	800	264	500	711	380	850	264	500
14	350	686	400	900	264	500	762	450	930	313	600
16	400	762	450	1000	313	600	838	500	1050	313	600
18	450	864	470	1100	313	600	914	560	1200	326	700
20	500	914	500	1200	326	700	991	650	1320	326	700
24	600	1067	600	1300	326	700	1143	750	1450	384	800

## 撑开式旋塞阀主要尺寸数据表

### Data Sheet of Main Dimensions of the Expanding Plug Valve



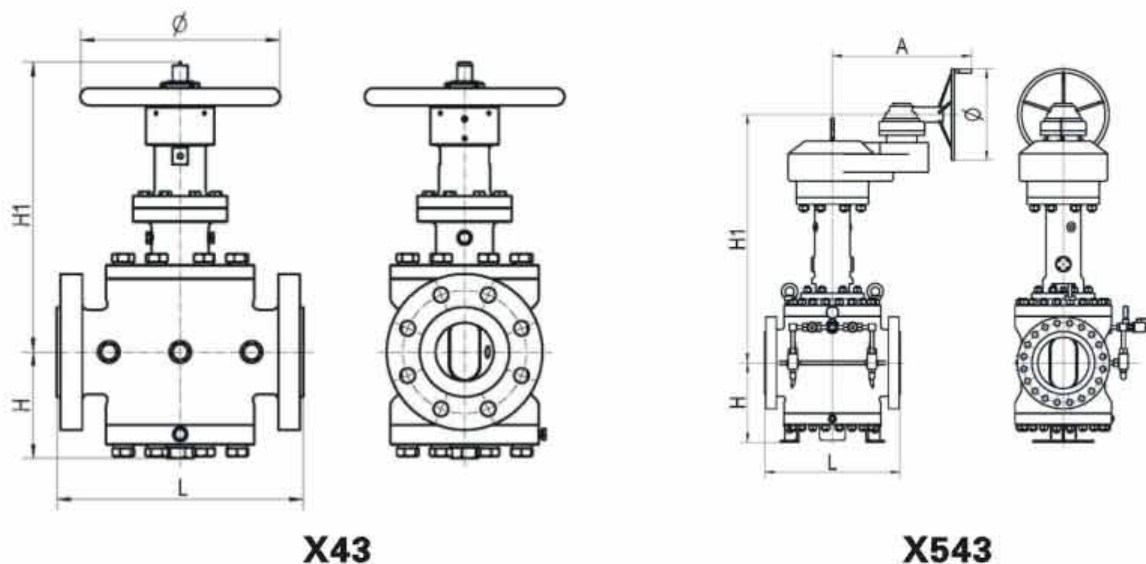
**X43**



**X543**

NPS	DN	Class400/PN64					Class600/PN100				
		L	H	H1	A	$\phi$	L	H	H1	A	$\phi$
2	50	292	150	550	/	250	292	150	550	/	250
2½	65	330	170	580	/	250	330	170	580	/	250
3	80	356	200	600	/	350	356	200	600	/	350
4	100	406	220	700	/	350	432	220	700	/	350
6	150	495	260	660	326	500	559	260	660	326	500
8	200	597	300	800	384	600	660	300	800	384	600
10	250	673	380	1200	770	600	787	380	1200	770	600
12	300	762	450	1400	800	600	838	450	1400	800	600
14	350	826	530	1600	915	600	889	530	1600	915	600
16	400	902	580	1700	915	700	991	580	1700	915	600
18	450	978	650	1800	960	700	1092	650	1800	960	700
20	500	1054	720	1950	1115	800	1194	720	1950	1115	800
24	600	1232	800	2100	1115	800	1397	800	2100	1115	800

**撑开式旋塞阀主要尺寸数据表**  
Data Sheet of Main Dimensions of the Expanding Plug Valve



NPS	DN	Class900/PN150					Class1500/PN250				
		L	H	H1	A	$\phi$	L	H	H1	A	$\phi$
2	50	371	200	520	215	320	371	200	520	215	320
2½	65	422	220	580	264	500	422	220	580	264	500
3	80	384	250	630	313	500	473	250	630	313	500
4	100	460	280	660	313	500	549	280	660	313	500
6	150	613	320	800	384	600	711	320	800	384	600
8	200	740	420	1000	384	600	841	420	1000	384	600
10	250	841	550	1400	800	600	1000	550	1400	800	600
12	300	968	660	1600	915	600	1146	680	1650	915	600
14	350	1038	750	1800	960	700	1276	800	1900	960	700
16	400	1139	850	2000	960	700	1406	900	2100	1115	800
18	450	1232	950	2150	1115	800	1559	1000	2250	1300	800
20	500	1334	1030	2250	1300	800	1686	1100	2350	1300	800
24	600	1568	1200	2400	1300	800	1972	1300	2500	1400	800

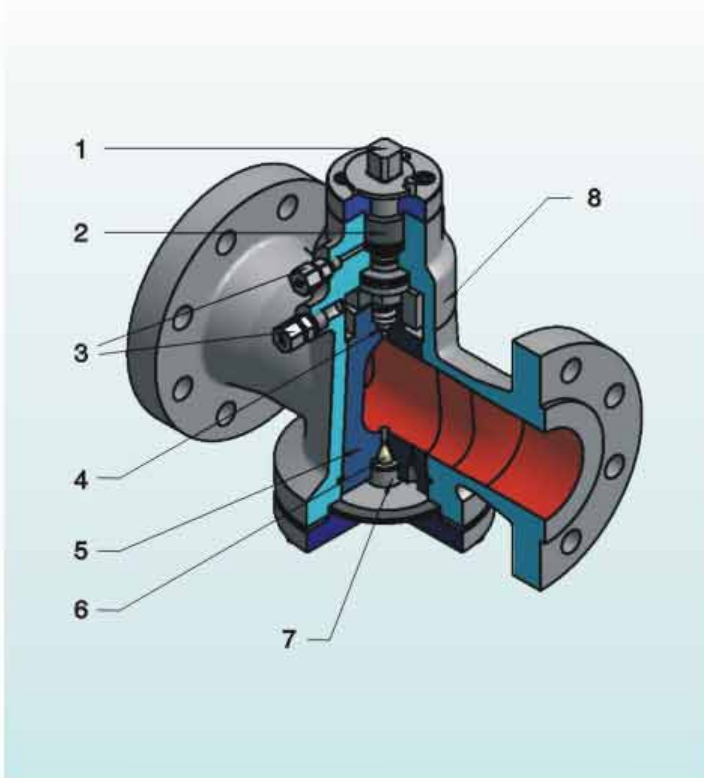
注：法兰连接尺寸根据用户要求（GB/HG/JB/ASME……）

Note: the dimension of the flange shall be subject to the user's requirements (GB/HG/JB/ASME……)

## 压力平衡式旋塞阀 Pressure Balance Plug Valve

压力平衡式旋塞阀具有金属硬密封结构和油脂密封结构双重特性，对于腐蚀性强、颗粒多的介质，冲刷严重，压差变化大等苛刻的工况环境，具有密封可靠和较强的适应性。通过特殊的结构设计，使旋塞所受介质力、油脂压力、弹簧力及自身重力相对平衡，即工作时，旋塞“悬浮”在体腔内，使阀门既密封可靠，又具有较小的操作力矩。适用于石油、天然气等化工介质的生产和输送、供气及其它过程控制领域，用作可靠截断、放空、排污等。

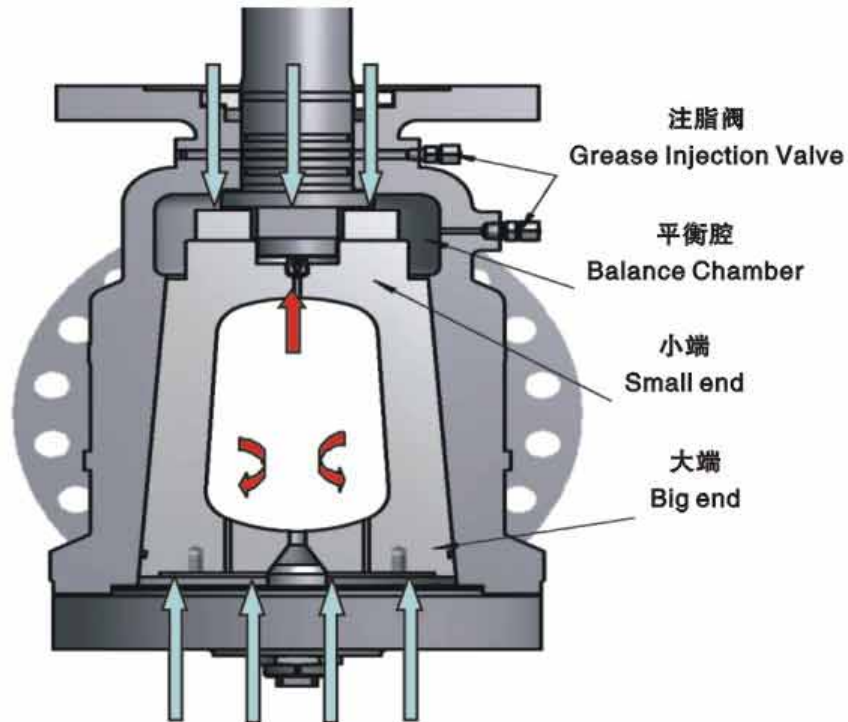
The **pressure balance plug valve** is provided with both metal to metal seal structure and grease seal structure which ensures reliable sealing and adaptability against mediums with strong corrosivity or densely mixed with particles and the environment with severe abrasiveness and large range of pressure change. With especial designed structure, the medium pressure, grease pressure and spring force acting upon the plug and the plug's own gravity are relatively balanced. When the valve is under service, the plug shall be "floating" inside the valve chamber, ensuring reliable sealing performance and small operating torque. This kind of valve can be applied to the production and transmission of mediums such as oil and natural gas and other process controlling industries, serving as cutting off, venting or draining devices.



### 1、结构简图 Structure Sketch

1、阀杆	Stem
2、密封机构	Sealing Structure
3、注脂阀	Grease Injection Valve
4、止回阀	Check Valve
5、旋塞	Plug
6、限位装置	Position Limiting Device
7、支撑座	Supporting Base
8、阀体	Body

## 2、工作原理 Operating Principles



压力平衡式油密封旋塞阀为90°角行程阀门，通过阀体上部设置的注脂阀注入密封油脂，该油脂在注入压力及工作状态下的介质压力作用下通过旋塞、阀体内表面的特殊油槽均匀涂抹在密封面上，形成致密的油膜层实现阀门双向密封并起润滑密封面的作用。当阀门关闭时，封闭在大端的介质，可以通过大小端的面积差，把旋塞压向密封面，保证密封。在开启的瞬间，大端和通道相通，大端介质排出，压力下降，小端的介质因有止回阀不能排出，则把旋塞微微压向大端，使开启时力矩减小，轻松开启。

The pressure balance oil sealing plug valve is a 90° rotary motion valve, into which sealing grease is injected through the grease injection valves provided at the upper part of the valve body. Under the injection pressure and the medium pressure, the grease is evenly applied onto the sealing face through the special grease grooves formed both on the plug and the inner surface of the valve body, thereby generating a dense oil film which realizes bi-directional sealing of the valve and lubricates the sealing face. When the valve is closed, the medium blocked up at the big end shall press the plug onto the sealing face due to the area difference between the big end and the small end, thereby ensuring sealing. At the very moment of opening, the big end shall be connected with the passage, the medium at this end shall discharge and the pressure thereof shall reduce; on the other hand, the medium at the small end cannot discharge due to the presence of the check valve, but pushes the plug slightly to the big end, reducing the opening torque, making it easy to open.

### 3、性能特点 Performance Features

- 1) 压力平衡式结构，阀门力矩小，操作省力。  
Pressure balance structure, small torque and easy to operate
- 2) 双向密封可靠，使用寿命长。  
Reliable two-way sealing and long service life
- 3) 阀杆防飞出设计，阀杆密封结构采用多重设计。  
Flyout-proof design and combination seals design for the stem
- 4) 阀杆与旋塞为柔性连接，纯扭矩操作。  
Flexible connection between the stem and the plug
- 5) 独立的调节支撑结构，调整方便灵活。  
Independent adjustable supporting structure for easy and flexible adjustment
- 6) 防火安全设计。  
Fire-proof design
- 7) 防静电设计。  
Anti-Static design



### 4、型号说明 Model Description

□ X □ □ □ □ - □ □ □  
① ② ③ ④ ⑤ ⑥ ⑦ ⑧ ⑨

- ① 温度：D：低温，G：高温，省略时：常温
- ② “X”表示旋塞阀；
- ③ 传动方式：3：蜗杆传动，4：正齿轮，5：锥齿轮，6：气动，7、液动，9：电动，省略时：为手动；
- ④ 连接形式：4：法兰；6：焊接端；
- ⑤ 结构形式：7：平衡直通式；
- ⑥ 密封面材料：F：PTFE，Y：硬质合金；
- ⑦ 压力级；
- ⑧ 壳体材料：C：碳钢，PN $\geq$ 2MPa时省略，P：铬镍不锈钢，V：铬钼钒钢，R：铬镍钼不锈钢，I：铬钼钢
- ⑨ 尺寸  
例：尺寸为10”，压力级为CL600，电动，法兰连接，密封面为PTFE，壳体材料为ZG1Cr18Ni9Ti的直通平衡式旋塞阀表示为：  
X947F-CL600P 10”

- ① Temperature: D: Low-temperature; G: High-temperature; omission of D or G: normal temperature
- ② "X" refers to plug valve;
- ③ Mode of drive: 3. worm 4: spur gear; 5: bevel gear; 6: pneumatic actuated; 7: hydraulic operated; 9: electric actuated; omission of 3,4,5,6,7 or 9: manual operated;
- ④ Connection: 4: flange end; 6: welding end;
- ⑤ Type of structure: 7: balance straightway type;
- ⑥ Material of sealing face: F: PTFE; Y: hard alloy;
- ⑦ Pressure class;
- ⑧ Material of shell: C: carbon steel, omitted as  $PN \geq 2$  MPa; P: chromium nickel stainless steel; V: chromium molybdenum vanadium steel; R: nickel chromium molybdenum stainless steel; I: chrome molybdenum steel
- ⑨ Size  
E.g.: the balance plug valve with size of 10", pressure class of CL600, electric actuator, flange connection, sealing face of PTFE, shell material of ZG1Cr18Ni9Ti is expressed as:  
X947F-CL600P 10"

## 5、性能规范 Performance Standard

压力级 Pressure class	Class150 ~ 1500 ( PN20 ~ 250 )
尺寸 Size	NPS2" ~ 24" ( DN50 ~ 600 )
适用温度 Applicable temperature	-29 ~ 121℃, -29 ~ 200℃ -46 ~ 121℃
适用介质 Applicable medium	石油、天然气及其制品、化工介质 Petroleum, natural gas, petroleum/natural gas products and chemical medium



## 6、材料表 Material List

序号 Sl. No.	零件名称 Part	材料名称 Material description	序号 Sl. No.	零件名称 Part	材料名称 Material description
1	阀体 Body	碳钢 Carbon steel	2	端盖 End Cover	碳钢 Carbon steel
3	旋塞 Plug	碳钢+表面处理 Carbon steel + Surface treatment	4	阀杆 Stem	合金钢 Alloy steel
5	摩擦垫 Friction pad	聚四氟乙烯 PTFE	6	垫片 Gasket	不锈钢+柔性石墨 Stainless steel + Flexible graphite
7	填料 Packing	组合件 Combination	8	填料压盖 Packing gland	碳钢 Carbon steel

注：具体材料选择根据实际工况和用户要求进行。

Note: Materials can be selected as per actual service conditions and the requirements of the users.

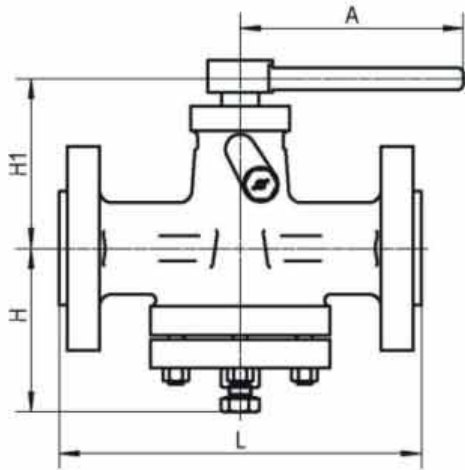
## 7、采用标准 Applicable Standards

设计制造 Design and manufacturing	API6D, API599 GB/T22130
结构长度 Face to face or end to end dimension	ASME B16.10 GB/T12221
连接法兰 Flange connection	ASME B16.5 GB/T9113, JB/T79 HG/T20592
验收 Acceptance	API6D, API598 GB/T13927, JB/T9092

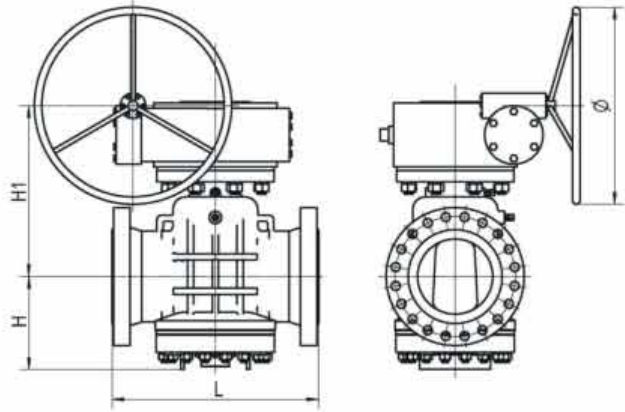
注：以上标准可根据用户要求执行。

Note: The design standard can be applied upon the requirements of the users.

**平衡式旋塞阀主要尺寸数据表**  
Data Sheet of Main Dimensions of the Balance Plug Valve



**X47**

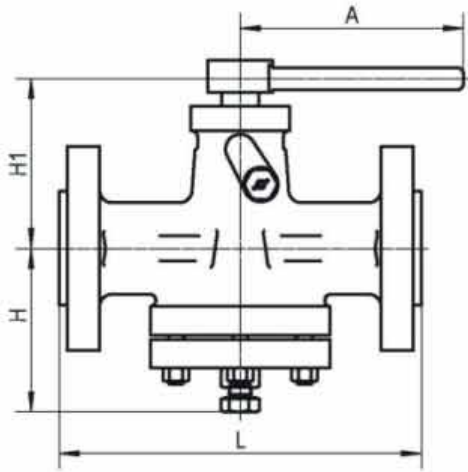


**X347**

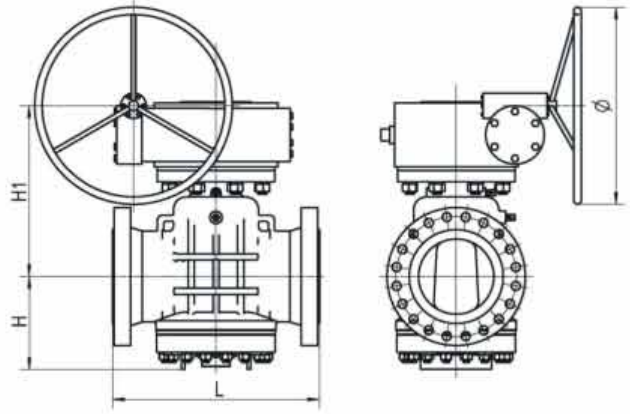
NPS	DN	Class150/PN20					Class300/PN50				
		L	H	H1	A	φ	L	H	H1	A	φ
2	50	178	130	190	450	/	216	130	190	500	/
2½	65	190	160	210	450	/	241	160	210	500	/
3	80	203	180	230	500	/	283	180	230	800	/
4	100	305	190	250	800	/	305	190	250	800	/
6	150	394	220	290	/	500	403	220	290	/	500
8	200	457	280	330	/	500	502	290	340	/	500
10	250	533	330	370	/	500	568	330	380	/	600
12	300	610	360	420	/	500	711	400	440	/	700
14	350	686	390	430	/	500	762	420	460	/	700
16	400	762	420	440	/	700	838	440	470	/	700
18	450	864	430	460	/	700	914	480	500	/	700
20	500	914	480	520	/	700	991	500	600	/	800
24	600	1067	540	560	/	800	1143	600	620	/	800

## 平衡式旋塞阀主要尺寸数据表

### Data Sheet of Main Dimensions of the Balance Plug Valve



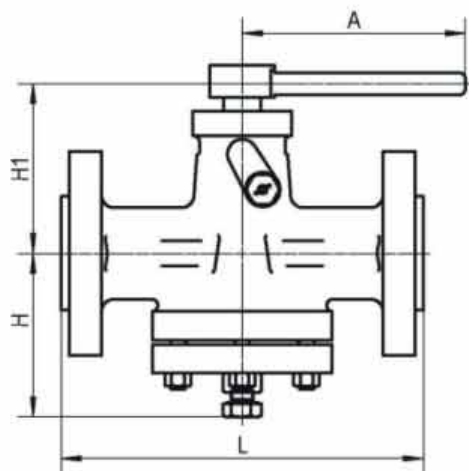
**X47**



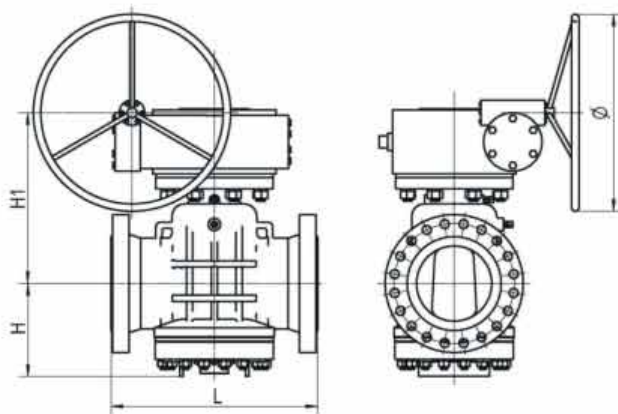
**X347**

NPS	DN	Class400/PN64					Class600/PN100				
		L	H	H1	A	$\phi$	L	H	H1	A	$\phi$
2	50	292	130	190	500	/	292	130	190	500	/
2½	65	330	160	210	500	/	330	160	210	800	/
3	80	356	180	230	800	/	356	180	230	800	/
4	100	406	190	250	800	/	432	190	250	/	500
6	150	495	220	290	/	500	559	250	300	/	500
8	200	597	290	340	/	500	660	300	380	/	600
10	250	673	330	380	/	600	787	350	500	/	700
12	300	762	400	440	/	700	838	400	700	/	800
14	350	826	420	460	/	700	889	450	800	/	800
16	400	902	440	470	/	700	991	500	850	/	800
18	450	978	480	500	/	700	1092	550	900	/	800
20	500	1054	500	600	/	800	1194	600	950	/	800
24	600	1232	600	620	/	800	1397	700	1050	/	800

**平衡式旋塞阀主要尺寸数据表**  
Data Sheet of Main Dimensions of the Balance Plug Valve



**X47**



**X347**

NPS	DN	Class900/PN150					Class1500/PN250				
		L	H	H1	A	φ	L	H	H1	A	φ
2	50	371	140	210	800	/	371	140	210	800	/
2½	65	422	160	220	800	/	422	160	220	800	/
3	80	384	180	230	800	/	473	190	240	800	/
4	100	460	190	250	/	500	549	210	270	/	600
6	150	613	260	300	/	600	711	260	300	/	600
8	200	740	300	380	/	600	841	300	380	/	700
10	250	841	350	500	/	700	1000	420	500	/	700
12	300	968	400	700	/	800	1146	460	700	/	800
14	350	1038	450	800	/	800	1276	530	800	/	800
16	400	1139	500	850	/	800	1406	560	850	/	800
18	450	1232	550	900	/	800	1559	580	900	/	800
20	500	1334	600	950	/	800	1686	640	950	/	800
24	600	1568	700	1050	/	800	1972	750	1100	/	800

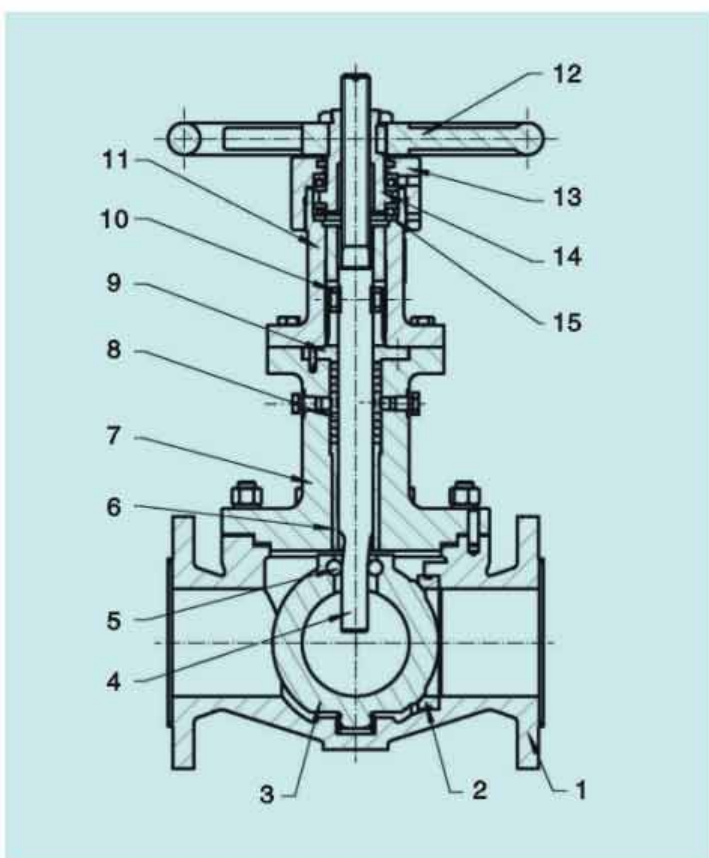
注：法兰连接尺寸根据用户要求（GB/HG/JB/ASME……）

Note: the dimension of the flange shall be subject to the user's requirements (GB/HG/JB/ASME……)

## 轨道式球阀 Orbit Ball Valve

轨道式球阀是一种对密封面具有保护作用的单面强制密封阀门，由特殊的轨道控制机构，使密封面在开关过程中无摩擦运动，在阀杆强制作用下，使阀门双向关断零泄漏，阀门使用寿命长。主要应用于：天然气和油品长输管线、放空排污、介质隔断、紧急截断及合成氨、酸、碱、氯化物等易燃、易爆、易挥发、易聚合、剧毒、高温、高压等对泄漏要求严格的场合。

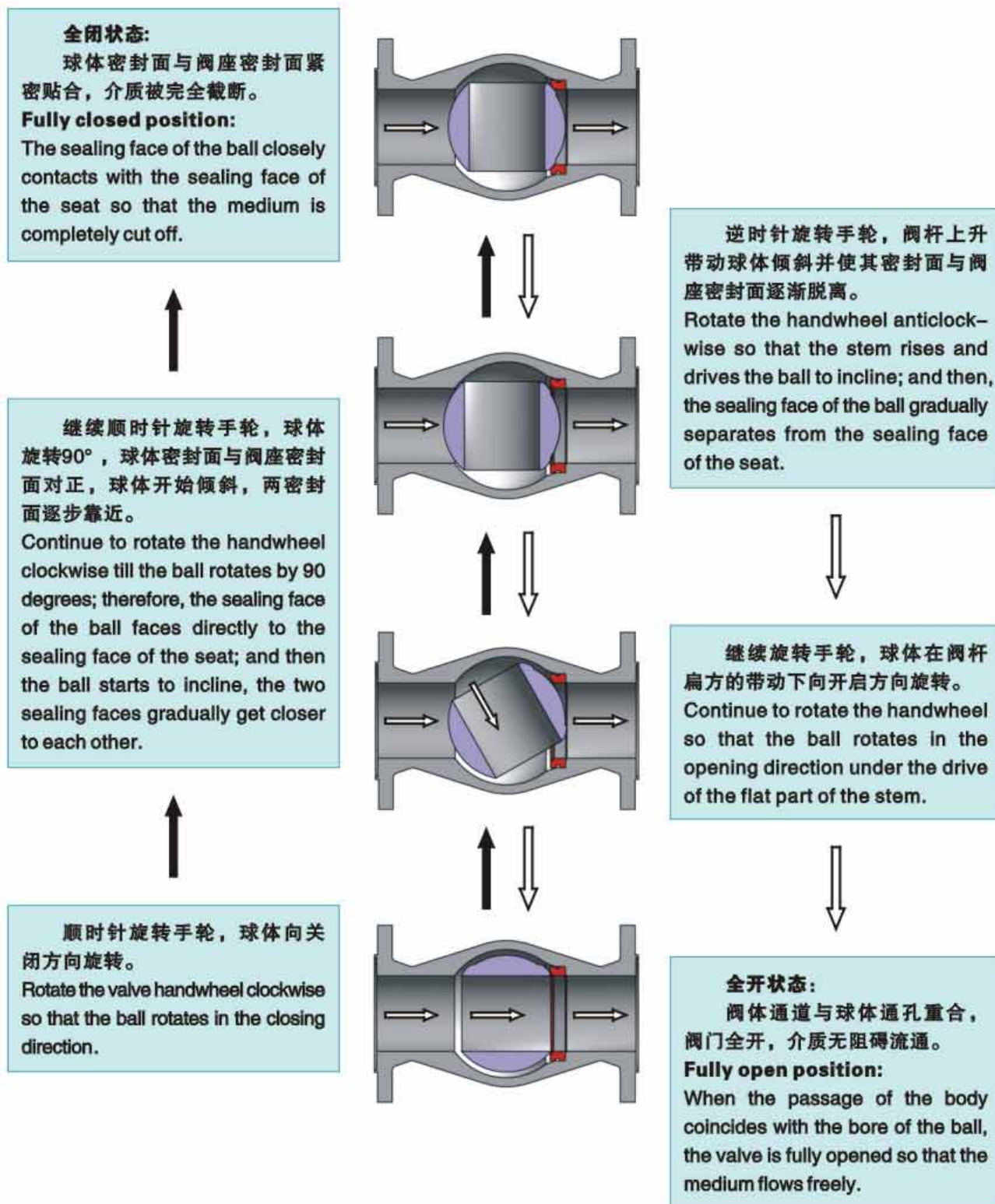
The orbit ball valve is a kind of single-side positive sealing valve with protection effect on the sealing face. Its special orbit control mechanism ensures non-friction moving of the sealing face during opening and closing processes, guaranteeing a long service life. With the stem force, the medium can be cut off from both sides, ensuring zero leakage. The orbit ball valve can be applied to long-distance pipelines for the transmission of natural gas and oil products, and can be used for venting, draining, medium blocking and cutting off under emergency, and can also be used under situations with strict requirement for zero leakage, such as places where inflammable, explosive, volatile, easily polymeric and virulent mediums blended with ammonia, acids, alkali and chlorides or places under high-temperature and high pressure.



### 1、结构简图 Structure Sketch

- |         |                 |
|---------|-----------------|
| 1、阀体    | Body            |
| 2、阀座    | Seat            |
| 3、球体    | Ball            |
| 4、阀杆    | Stem            |
| 5、销     | Pin             |
| 6、衬套    | Bush            |
| 7、阀盖    | Bonnet          |
| 8、填料    | Packing         |
| 9、导轨套   | Guideway Sleeve |
| 10、滚轮   | Roller          |
| 11、支架   | Yoke            |
| 12、手轮   | Handwheel       |
| 13、轴承压盖 | Bearing Gland   |
| 14、阀杆螺母 | Stem Nut        |
| 15、轴承   | Bearing         |

## 2、工作原理 Operating Principles



### 3、性能特点 Performance Features

- 1) 密封面无摩擦启闭、阀门的使用寿命长，开关力矩小。  
Non-friction opening and closing of the sealing faces, long service life and small operating torque.
- 2) 软、硬双重密封或全硬密封，具备防火功能。  
Soft and hard double seals or hard seal, fire-proof design.
- 3) 上装式结构，可实现在线维修。  
Top-entry structure enables online repair.
- 4) 特殊的轨道设计，有效的保证了开关过程中密封面的分离与贴合。  
Special orbit design effectively guarantees separation and contacting of the sealing faces during the opening and closing processes.
- 5) 单阀座强制密封结构，双向零泄漏，防止管道内的燃料污染或损失的现象，避免窜流。  
Single seat positive seal structure with reliable sealing performance prevents the fuel from polluting the pipelines or losing, avoids fluid channeling, and ensures zero leakage on both sides.
- 6) 防静电设计。  
Anti-static design.
- 7) 阀杆防飞出设计。  
Anti-fly out design for stem.



### 4、型号说明 Model Description

□ GDQ □ □ □ □ - □ □ □  
① ② ③ ④ ⑤ ⑥ ⑦ ⑧ ⑨

- ① 温度：D：低温，G：高温，省略时：常温
- ② “GDQ”表示轨道式球阀；
- ③ 传动方式，4：正齿轮，5：锥齿轮，6：气动，7：液动，9：电动，省略时：手动；
- ④ 连接形式，4：法兰；6：焊接端；
- ⑤ 结构形式，1：单阀座；
- ⑥ 密封面材料，X：橡胶，Y：硬质合金；F：增强四氟，N：尼龙
- ⑦ 压力级；
- ⑧ 壳体材料：C：碳钢，PN≥2MPa时省略，P：铬镍不锈钢，V：铬钼钒钢，R：铬镍钼不锈钢，I：铬钼钢

⑨ 尺寸

例：尺寸为10"，压力级为CL600，电动，法兰连接，密封面为硬质合金，壳体材料为ZG1Cr18Ni9Ti的轨道式球阀表示为：

GDQ941Y-CL600P 10"

- ① Temperature: D: Low-temperature; G: High-temperature; omission of D or G: normal temperature
- ② "GDQ" refers to orbit ball valve;
- ③ Mode of drive: 4: spur gear; 5: bevel gear; 6: pneumatic actuated; 7: hydraulic operated; 9: electric actuated; omission of 4,5,6,7 or 9: manual operated;
- ④ Connection: 4: flange end; 6: welding end;
- ⑤ Type of structure: 1: single seat;
- ⑥ Material of sealing face: X: rubber; Y: hard alloy; F: enforced PTFE, N: nylon
- ⑦ Pressure class;
- ⑧ Material of shell: C: carbon steel, omitted as PN  $\geq$  2 MPa; P: chromium nickel stainless steel; V: chromium molybdenum vanadium steel; R: nickel chromium molybdenum stainless steel; I: chrome molybdenum steel
- ⑨ Size  
E.g.: the orbit ball valve with size of 10", pressure class of CL600, electric actuator, flange connection, sealing face of hard alloy, shell material of ZG1Cr18Ni9Ti is expressed as:  
GDQ941Y-CL600P 10"

5、性能规范 Performance Standard

压力级 Pressure class	Class150 ~ 1500 ( PN20 ~ 250 )
尺寸 Size	NPS2" ~ 40" ( DN50 ~ 1000 )
适用温度 Applicable temperature	-29 ~ 121℃, -29 ~ 425℃ -101 ~ 121℃
适用介质 Applicable medium	石油、天然气及其制品、化工介质 Petroleum, natural gas, petroleum/natural gas products and chemical medium



## 6、材料表 Material List

序号 Sl. No.	零件名称 Part	材料名称 Material description	序号 Sl. No.	零件名称 Part	材料名称 Material description
1	阀体 Body	碳钢 Carbon steel	2	球体 Ball	碳钢+表面处理 Carbon steel + Surface treatment
3	阀盖 Bonnet	碳钢 Carbon steel	4	阀座 Seat	不锈钢+表面处理 Stainless steel + Surface treatment
5	阀杆 Stem	合金钢 Alloy steel	6	密封面 Sealing face	金属或金属+非金属 Metal or metal + nonmetal
7	滚轮 Roller	合金钢 Alloy steel	8	导轨套 Guide rail sleeve	合金钢+表面处理 Alloy steel + Surface treatment
9	导向销 Guide pin	不锈钢 Stainless steel	10	密封垫片 Sealing gasket	不锈钢+柔性石墨 Stainless steel + Flexible graphite

注：具体材料选择根据实际工况和用户要求进行。

Note: Materials can be selected as per actual service conditions and the requirements of the users.

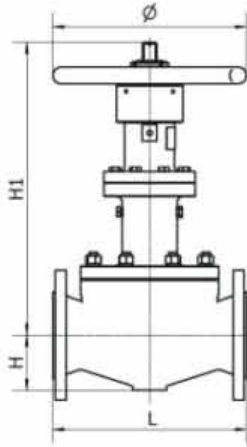
## 7、采用标准 Applicable Standards

设计制造 Design and manufacturing	API6D GB/T12237
结构长度 Face to face or end to end dimension	ASME B16.10 GB/T12221
连接法兰 Flange connection	ASME B16.5 GB/T9113,JB/T79 HG/T20592
验收 Acceptance	API6D,API598 GB/T13927, JB/T9092

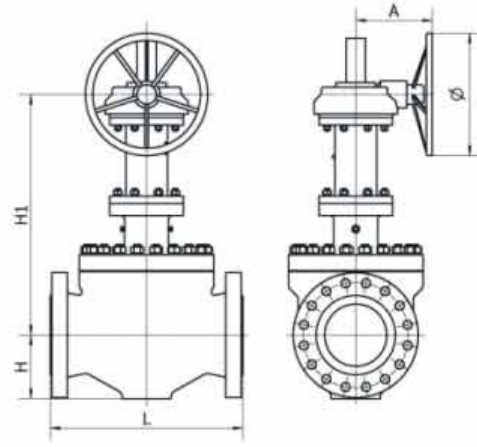
注：以上标准可根据用户要求执行。

Note: The design standard can be applied upon the requirements of the users.

**轨道式球阀主要尺寸数据表**  
Data Sheet of Main Dimensions of the Orbit Ball Valve



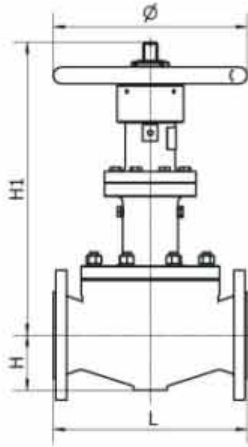
**GDO41**



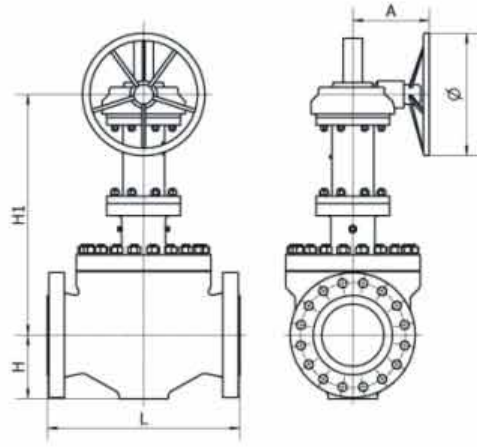
**GDO541**

NPS	DN	Class150/PN20					Class300/PN50				
		L★	H	H1	A	φ	L★	H	H1	A	φ
2	50	292	80	490	/	250	292	80	490	/	250
2½	65	330	95	500	/	250	330	95	500	/	250
3	80	356	100	515	/	250	356	100	515	/	250
4	100	432	120	600	/	350	432	120	600	/	350
6	150	559	160	820	/	350	559	160	820	/	350
8	200	660	200	920	/	550	660	200	920	/	550
10	250	787	240	940	/	650	787	240	940	/	650
12	300	838	280	990	/	750	838	280	990	/	750
14	350	889	330	1280	264	500	889	330	1280	264	500
16	400	991	380	1390	264	500	991	380	1390	264	500
18	450	1092	430	1550	313	600	1092	430	1550	313	600
20	500	1194	460	1600	313	600	1194	460	1600	313	600
24	600	1397	520	1800	326	700	1397	520	1800	326	700
28	700	1549	600	1950	326	700	1549	600	1950	326	700
32	800	1778	700	2200	384	800	1778	700	2200	384	800
36	900	2083	770	2400	384	800	2083	770	2400	384	800
40	1000	2400	850	2600	384	800	2400	850	2600	384	800

**轨道式球阀主要尺寸数据表**  
Data Sheet of Main Dimensions of the Orbit Ball Valve



**GDQ41**



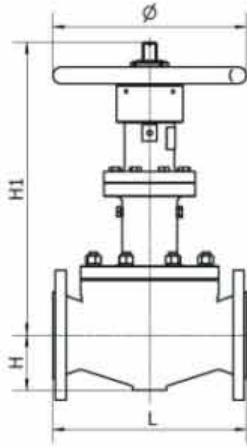
**GDQ541**

NPS	DN	Class400/PN64					Class600/PN100				
		L★	H	H1	A	φ	L	H	H1	A	φ
2	50	292	80	490	/	250	292	90	500	/	250
2½	65	330	95	500	/	250	330	100	520	/	250
3	80	356	100	515	/	250	356	115	530	/	350
4	100	432	120	600	/	350	432	145	620	/	450
6	150	559	160	820	/	350	559	185	850	/	550
8	200	660	200	920	/	550	660	220	950	/	650
10	250	787	240	940	/	650	787	265	1000	/	750
12	300	838	280	990	/	750	838	290	1230	264	500
14	350	889	330	1280	264	500	889	330	1380	264	500
16	400	991	380	1390	264	500	991	380	1500	313	600
18	450	1092	430	1550	313	600	1092	430	1650	313	600
20	500	1194	460	1600	313	600	1194	460	1720	326	700
24	600	1397	520	1800	326	700	1397	540	1920	384	800
28	700	1549	620	2000	384	800	1549	640	2200	400	800
32	800	1778	700	2200	400	800	1778	720	2400	450	800
36	900	2083	780	2400	450	800	2083	800	2600	500	800
40	1000	2400	860	2600	450	800	2400	900	2800	550	800

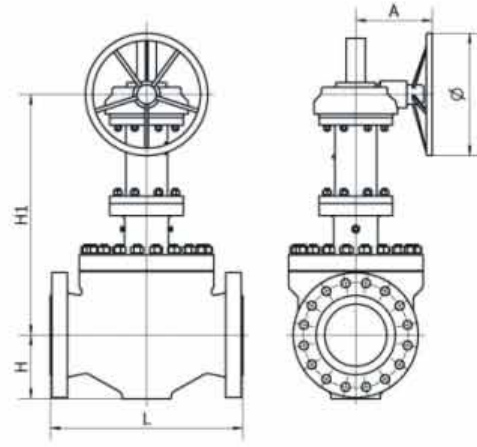
★Class150, Class300以及Class400的结构长度按Class600设计。

★ The face to face and end to end dimension for valves of Class150, Class300 and Class400 shall be designed as that of valves of Class600.

**轨道式球阀主要尺寸数据表**  
Data Sheet of Main Dimensions of the Orbit Ball Valve



**GDO41**



**GDO541**

NPS	DN	Class900/PN150					Class1500/PN250				
		L	H	H1	A	φ	L	H	H1	A	φ
2	50	371	115	500	/	250	371	115	520	/	250
2½	65	422	130	520	/	250	422	130	550	/	350
3	80	384	130	530	/	350	473	140	560	/	450
4	100	460	155	620	/	450	549	165	650	/	550
6	150	613	200	850	/	550	711	205	900	/	650
8	200	740	245	950	/	650	841	250	1000	/	750
10	250	841	280	1000	/	750	1000	300	1050	264	500
12	300	968	315	1230	264	500	1146	345	1280	264	500
14	350	1038	350	1380	264	500	1276	385	1480	313	600
16	400	1140	380	1500	313	600	1407	420	1580	313	600
18	450	1232	430	1650	313	600	1559	450	1700	326	700
20	500	1334	480	1720	326	700	1686	500	1900	384	800
24	600	1568	550	1920	384	800	1972	580	2100	400	800

注：法兰连接尺寸根据用户要求（GB/HG/JB/ASME……）

Note: the dimension of the flange shall be subject to the user's requirements (GB/HG/JB/ASME……)

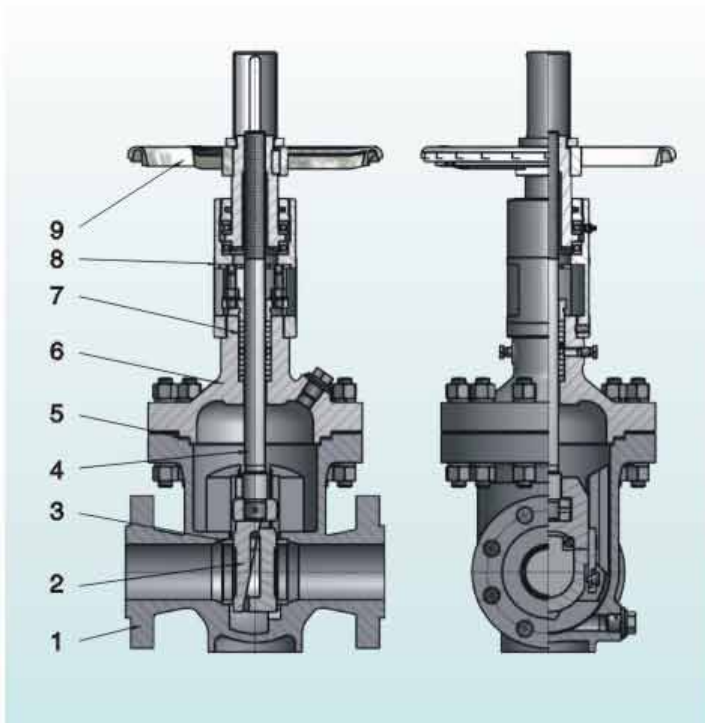
# 撑开式平板闸阀

## Expanding Slab Gate Valve

撑开式平板闸阀是一种对密封面具有保护作用的双面强制密封阀门，其闸板由带有斜面的主、副闸板及连杆-摆块机构(或弹簧)组成。其在开关过程中密封面间不接触，密封面无摩擦、磨损，使用寿命长。适用于：天然气、石油、成品油、航空油料等介质的输送管线、放空系统、炼油系统和油、气储存装置上，用作启闭和可靠截断设备。

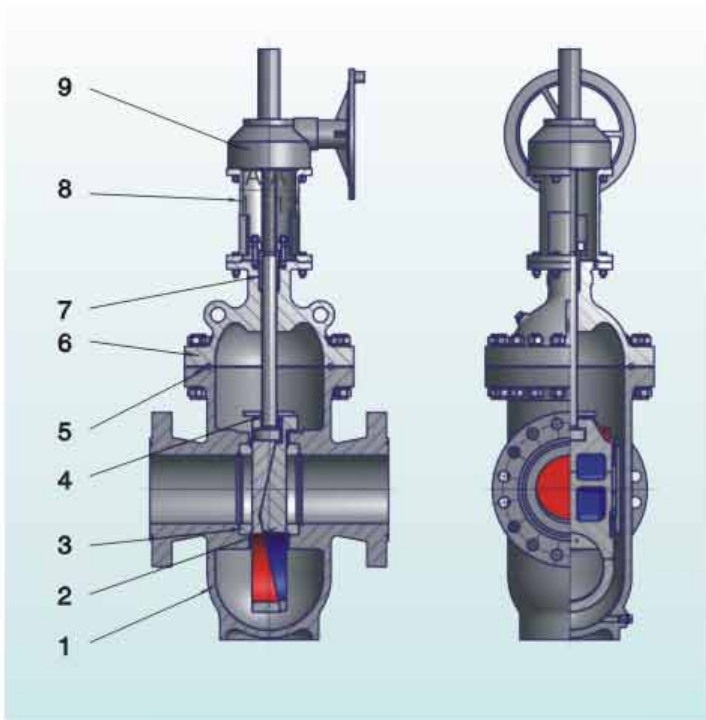
The **expanding slab gate valve** is a double-side positive seal valve with protection effect on sealing faces. The gate couple is composed of main gate segment, auxiliary gate segment, connecting rod – swing block mechanism (or spring). The sealing faces will not contact with each other during opening and closing processes, therefore no friction or abrasion shall be caused to the sealing face, ensuring a long service life. The valve is suitable for the pipelines of such mediums as natural gas, petroleum, refined oil products and aviation fuel, and can be used for the venting system, the oil refining system and the oil and gas storage devices.

### 1、结构简图 Structure Sketch



- |      |           |
|------|-----------|
| 1、阀体 | Body      |
| 2、闸板 | Gate      |
| 3、阀座 | Seat      |
| 4、阀杆 | Stem      |
| 5、垫片 | Gasket    |
| 6、阀盖 | Bonnet    |
| 7、填料 | Packing   |
| 8、支架 | Yoke      |
| 9、手轮 | Handwheel |

无导流孔结构  
Structure without diversion hole



1、阀体	Body
2、闸板	Gate
3、阀座	Seat
4、阀杆	Stem
5、垫片	Gasket
6、阀盖	Bonnet
7、填料	Packing
8、支架	Yoke
9、传动装置	Actuators

带导流孔结构  
Structure with diversion hole

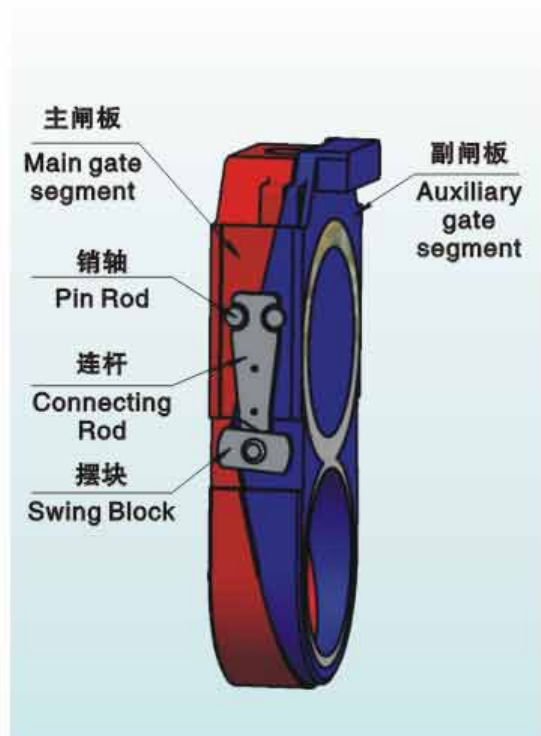
## 2、工作原理 Operating Principles

1) 阀门关：顺时针转动手轮，阀杆带动主闸板向下运动，当副闸板被限位时，主闸板继续运动，在斜面的作用下，主副闸板撑开，压紧密封面，使阀门密封。

Closing of the valve: Rotate the handwheel clockwise so that the stem drives the main gate segment to move downwards; when the auxiliary gate segment is position-limited, the main gate segment continues to move downwards, and then the main and auxiliary gate segments are expanded due to the bevel, being closely pressed against the sealing faces, and the valve is fully sealed.

2) 阀门开：逆时针转动手轮，阀杆带动主闸板向上运动，当副闸板被限位时，主闸板继续移动，直至阀门全开。

Opening of the valve: Rotate the handwheel anticlockwise so that the stem drags the main gate segment to move upwards; and when the auxiliary gate segment is position-limited, the main gate segment continues to move upwards until the valve is totally opened.



### 3、性能特点 Performance Features

- 1) 密封面无摩擦启闭、阀门的使用寿命长，开关力矩小。  
Non-friction opening and closing of the sealing faces, long service life and small operating torque.
- 2) 软硬双重密封或全硬密封，具备防火功能。  
Soft and hard double seal or hard seal, fire-proof design
- 3) 上装式设计，可在线维修。  
Top-entry design enables online repair.
- 4) 可根据用户要求设置吹扫装置。  
Optional purging device according to the requirements of the users.
- 5) 阀门具有自动泄放装置（备选），防止阀腔异常升压。  
The valve is provided with an automatic relief device (optional) for preventing abnormal pressure rise in the valve chamber.
- 6) 防静电设计。  
Anti-static design
- 7) 阀杆防飞出设计。  
Anti-fly out design for stem.



### 4、型号说明 Model Description

□ Z □ □ □ □ - □ □ □  
① ② ③ ④ ⑤ ⑥ ⑦ ⑧ ⑨

- ① 温度：D：低温，G：高温，省略时：常温
- ② “Z” 表示闸阀；
- ③ 传动方式，4：正齿轮，5：锥齿轮，6：气动，7：液动，9：电动，省略时：手动；
- ④ 连接形式，4：法兰；6：焊接端；
- ⑤ 结构形式，4：撑开式双阀座；
- ⑥ 密封面材料，wF：无导流孔，软密封，wY：无导流孔，硬密封；  
F：带导流孔，软密封，Y：带导流孔，硬密封；
- ⑦ 压力级；
- ⑧ 壳体材料：C：碳钢，PN $\geq$ 2MPa时省略，P：铬镍不锈钢，V：铬钼钒钢，  
R：铬镍钼不锈钢，I：铬钼钢

⑨ 尺寸

例：尺寸为10"，压力级为CL600，电动，法兰连接，带导流孔，硬密封，壳体材料为ZG1Cr18Ni9Ti的撑开式平板闸阀表示为：

10" Z944Y-CL600P

① Temperature: D: Low-temperature; G: High-temperature; omission of D or G: normal temperature

② "Z" refers to gate valve;

③ Mode of drive: 4: spur gear; 5: bevel gear; 6: pneumatic actuated; 7: hydraulic operated; 9: electric actuated; omission of 4,5,6,7 or 9: manual operated;

④ Connection: 4: flange end; 6: welding end;

⑤ Type of structure: 4: expanding and double seats;

⑥ Material of sealing face: wF: without diversion hole, soft seal; wY: without diversion hole, hard seal; F: with diversion hole, soft seal; Y: with diversion hole, hard seal;

⑦ Pressure class;

⑧ Material of shell: C: carbon steel, omitted as  $PN \geq 2 \text{ MPa}$ ; P: chromium nickel stainless steel; V: chromium molybdenum vanadium steel; R: nickel chromium molybdenum stainless steel; I: chrome molybdenum steel;

⑨ Size

E.g.: the expanding gate valve with size of 10", pressure class of CL600, electric actuator, flange end, diversion hole, hard seal, shell material of ZG1Cr18Ni9Ti is expressed as:

10"Z944Y-CL600P

## 5、性能规范 Performance Standard

压力级 Pressure class	Class150 ~ 1500 ( PN20 ~ 250 )
尺寸 Size	NPS2" ~ 48" ( DN50 ~ 1200 )
适用温度 Applicable temperature	-29 ~ 121℃, -29 ~ 450℃ -46 ~ 121℃
适用介质 Applicable medium	石油、天然气及其制品 Petroleum, natural gas and petroleum/natural gas products



## 6、材料表 Material List

序号 Sl. No.	零件名称 Part	材料名称 Material description	序号 Sl. No.	零件名称 Part	材料名称 Material description
1	阀体 Body	碳钢 Carbon steel	2	阀盖 Bonnet	碳钢 Carbon steel
3	阀座 Seat	碳钢+表面处理 Carbon steel + Surface treatment	4	阀杆 Stem	合金钢 Alloy steel
5	闸板 Gate segment	碳钢+表面处理 Carbon steel + Surface treatment	6	连杆、摆块 Connecting rod and swing block	不锈钢 Stainless steel
7	垫片 Gasket	不锈钢+柔性石墨 Stainless steel + Flexible graphite	8	填料 Packing	组合件 Combination

注：具体材料选择根据实际工况和用户要求进行。

Note: Materials can be selected as per actual service conditions and the requirements of the users.

## 7、采用标准 Applicable Standards

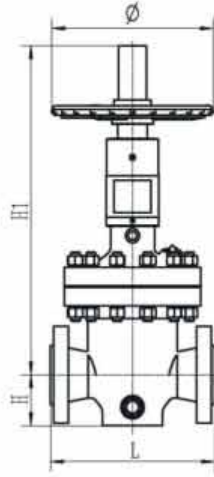
设计制造 Design and manufacturing	API6D GB/T12234
结构长度 Face to face or end to end dimension	ASME B16.10 GB/T12221
连接法兰 Flange connection	ASME B16.5 GB/T9113,JB/T79 HG/T20592
验收 Acceptance	API6D,API598 GB/T13927, JB/T9092

注：以上标准可根据用户要求执行。

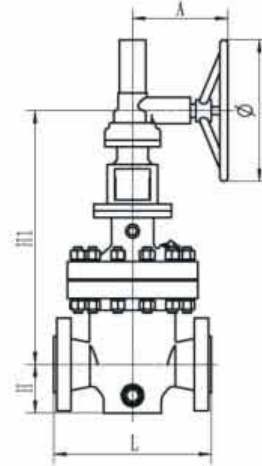
Note: The design standard can be applied upon the requirements of the users.

## 无导流孔撑开式平板闸阀主要尺寸数据表

### Main Dimensions of Expanding Slab Gate Valve without Diversion Hole



**Z44wF(Y)**



**Z544wF(Y)**

NPS	DN	Class150/PN20					Class300/PN50				
		L★	H	H1	A	φ	L	H	H1	A	φ
2	50	216	90	530	/	250	216	90	530	/	250
2½	65	241	105	530	/	250	241	105	530	/	250
3	80	283	115	610	/	250	283	115	610	/	250
4	100	305	135	730	/	250	305	135	730	/	250
6	150	403	170	1180	/	350	403	170	1180	/	350
8	200	419	205	1450	/	450	419	205	1450	/	450
10	250	457	230	1680	/	450	457	230	1680	/	450
12	300	502	260	1350	215	320	502	270	1350	215	320
14	350	762	290	1400	264	500	762	300	1400	264	500
16	400	838	320	1500	264	500	838	335	1500	264	500
18	450	914	350	1700	313	600	914	365	1700	313	600
20	500	991	400	1900	313	600	991	400	1900	313	600
24	600	1143	450	2200	326	700	1143	470	2200	326	700
28	700	1346	520	2600	326	700	1346	550	2600	326	700
32	800	1524	580	3000	326	700	1524	620	3000	326	700
36	900	1727	640	3400	384	800	1727	680	3400	384	800
40	1000	1800	700	4000	384	800	1800	750	4000	384	800
44	1100	1900	750	4600	384	800	1900	800	4600	384	800
48	1200	2000	820	5200	384	800	2000	860	5200	384	800

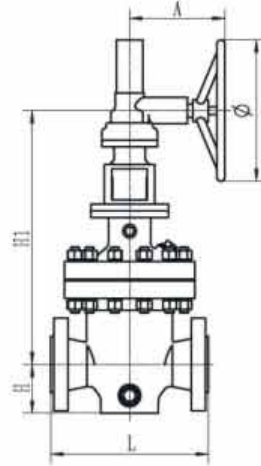
★Class150的结构长度按Class300设计。

★The face to face and end to end dimension for valves of Class150 shall be designed as that of valves of Class300.

**无导流孔撑开式平板闸阀主要尺寸数据表**  
Main Dimensions of Expanding Slab Gate Valve without Diversion Hole



**Z44wF(Y)**



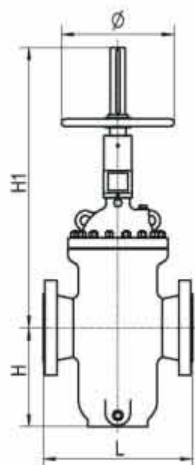
**Z544wF(Y)**

NPS	DN	Class400/PN64					Class600/PN100				
		L	H	H1	A	$\phi$	L	H	H1	A	$\phi$
2	50	292	90	530	/	250	292	90	530	/	250
2 $\frac{1}{2}$	65	330	105	530	/	250	330	105	530	/	250
3	80	356	115	610	/	250	356	115	610	/	250
4	100	406	135	730	/	250	432	145	730	/	350
6	150	495	170	1180	/	350	559	185	1180	/	550
8	200	597	205	1450	/	450	660	220	950	215	320
10	250	673	230	1680	/	450	787	265	1100	264	500
12	300	762	270	1350	215	320	838	290	1350	264	500
14	350	826	300	1400	264	500	889	320	1400	313	600
16	400	902	335	1600	264	500	991	355	1600	313	600
18	450	978	365	1750	313	600	1092	385	1750	326	700
20	500	1054	400	1900	313	600	1194	430	1900	326	700
24	600	1232	470	2250	326	700	1397	490	2250	384	800
28	700	1397	550	2600	326	700	1549	580	2600	384	800
32	800	1651	620	3000	326	700	1778	650	3000	384	800
36	900	1880	680	3400	384	800	2083	720	3400	450	800
40	1000	2000	750	4000	384	800	2200	780	4000	450	800
44	1100	2200	800	4600	384	800	2400	830	4600	450	800
48	1200	2400	860	5200	384	800	2600	900	5200	450	800

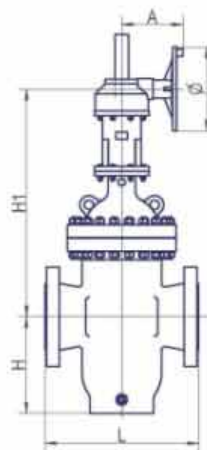
注：法兰连接尺寸根据用户要求（GB/HG/JB/ASME……）

Note: the dimension of the flange shall be subject to the user's requirements (GB/HG/JB/ASME……)

**带导流孔撑开式平板闸阀主要尺寸数据表**  
Main Dimensions of Expanding Slab Gate Valve with Diversion Hole



**Z44wF(Y)**



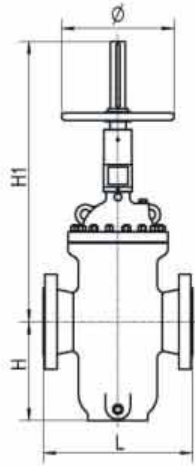
**Z544wF(Y)**

NPS	DN	Class150/PN20					Class300/PN50				
		L★	H	H1	A	$\phi$	L	H	H1	A	$\phi$
2	50	216	140	530	/	250	216	140	530	/	250
2½	65	241	165	530	/	250	241	165	530	/	250
3	80	283	190	610	/	250	283	190	610	/	250
4	100	305	230	730	/	250	305	230	730	/	250
6	150	403	320	1180	/	350	403	320	1180	/	350
8	200	419	400	1450	/	450	419	400	1450	/	450
10	250	457	500	1680	/	450	457	500	1680	/	450
12	300	502	590	1350	215	320	502	590	1350	215	320
14	350	762	640	1400	264	500	762	640	1400	264	500
16	400	838	715	1500	264	500	838	715	1500	264	500
18	450	914	790	1700	313	600	914	790	1700	313	600
20	500	991	900	1900	313	600	991	900	1900	313	600
24	600	1143	1070	2200	326	700	1143	1070	2200	326	700
28	700	1346	1250	2600	326	700	1346	1250	2600	326	700
32	800	1524	1430	3000	326	700	1524	1430	3000	326	700
36	900	1727	1610	3400	384	800	1727	1610	3400	384	800
40	1000	1800	1800	4000	384	800	1800	1800	4000	384	800
44	1100	1900	1980	4600	384	800	1900	1980	4600	384	800
48	1200	2000	2150	5200	384	800	2000	2150	5200	384	800

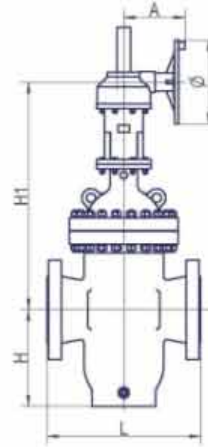
★Class150的结构长度按Class300设计。

★The face to face and end to end dimension for valves of Class150 shall be designed as that of valves of Class300.

**带导流孔撑开式平板闸阀主要尺寸数据表**  
Main Dimensions of Expanding Slab Gate Valve with Diversion Hole



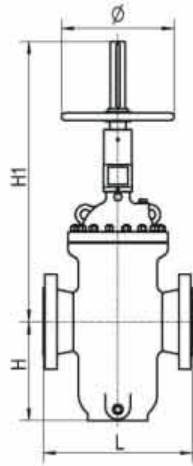
**Z44wF(Y)**



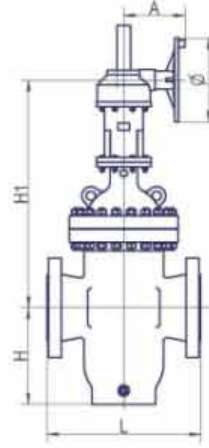
**Z544wF(Y)**

NPS	DN	Class400/PN64					Class600/PN100				
		L	H	H1	A	φ	L	H	H1	A	φ
2	50	292	140	530	/	250	292	145	530	/	250
2½	65	330	165	530	/	250	330	165	530	/	250
3	80	356	190	610	/	250	356	195	610	/	250
4	100	406	230	730	/	250	432	230	730	/	350
6	150	495	320	1180	/	350	559	335	800	/	550
8	200	597	400	1450	/	450	660	400	950	215	320
10	250	673	500	1680	/	450	787	500	1100	264	500
12	300	762	590	1350	215	320	838	590	1350	264	500
14	350	826	640	1400	264	500	889	650	1400	313	600
16	400	902	715	1600	264	500	991	715	1600	313	600
18	450	978	800	1750	313	600	1092	810	1750	326	700
20	500	1054	900	1900	313	600	1194	915	1900	326	700
24	600	1232	1070	2250	326	700	1397	1075	2250	384	800
28	700	1397	1250	2600	326	700	1549	1250	2600	384	800
32	800	1651	1430	3000	326	700	1778	1430	3000	384	800
36	900	1880	1610	3400	384	800	2083	1630	3400	450	800
40	1000	2000	1800	4000	384	800	2200	1800	4000	450	800
44	1100	2200	1980	4600	384	800	2400	1980	4600	450	800
48	1200	2400	2150	5200	384	800	2600	2150	5200	450	800

**带导流孔撑开式平板闸阀主要尺寸数据表**  
Main Dimensions of Expanding Slab Gate Valve with Diversion Hole



**Z44wF(Y)**



**Z544wF(Y)**

NPS	DN	Class900/PN150					Class1500/PN250				
		L	H	H1	A	φ	L	H	H1	A	φ
2	50	371	145	530	/	350	371	145	530	/	350
2½	65	422	165	530	/	350	422	165	530	/	350
3	80	384	195	610	/	350	473	195	550	215	320
4	100	460	230	730	/	450	549	240	650	215	320
6	150	613	335	1180	/	550	711	380	850	264	500
8	200	740	400	950	215	320	841	480	1000	264	500
10	250	841	510	1200	264	500	1000	580	1300	313	600
12	300	968	600	1450	264	500	1146	670	1450	313	600
14	350	1038	670	1550	313	600	1276	750	1550	326	700
16	400	1140	770	1750	313	600	1407	850	1800	326	700
18	450	1232	830	1850	326	700	1559	950	1900	384	800
20	500	1334	940	2000	326	700	1686	1060	2100	384	800
24	600	1568	1130	2300	384	800	1972	1250	2400	450	800

注：法兰连接尺寸根据用户要求（GB/HG/JB/ASME……）

Note: the dimension of the flange shall be subject to the user's requirements (GB/HG/JB/ASME……)

# 资质证书 QUALIFICATIONS



**CCFV<sup>®</sup>**

**成都乘风阀门有限责任公司  
CHENGDU CHENGFENG VALVE CO., LTD**

地址：四川省成都市新都大丰南丰大道1巷5号

Address: No.5, Lane 1, Nanfeng Avenue, Dafeng Town, Xindu District, Chengdu City, Sichuan Province

公司电话：+86-28-83911495 +86-28-83912034

Tel: +86-28-83911495 +86-28-83912034

传真：+86-28-84847510 邮编：610504

Fax: +86-28-84847510 Postal code: 610504

公司网站：www.china-cdvalve.com

Company website: www.china-cdvalve.com

电子邮箱：cdvalve@china-cdvalve.com

E-mail: cdvalve@china-cdvalve.com